

# Safety Shut-Off Valves series VSA 1 bar DN 300

Gas safety solenoid shut-off valves series VSA pressure, are suitable for the automatic control of gases belonging to the I°, II° and III° family.

On request there are versions for air. These valves, normally closed for continuous and cyclic operation, open by powering the coil and close quickly when there is no power supply.



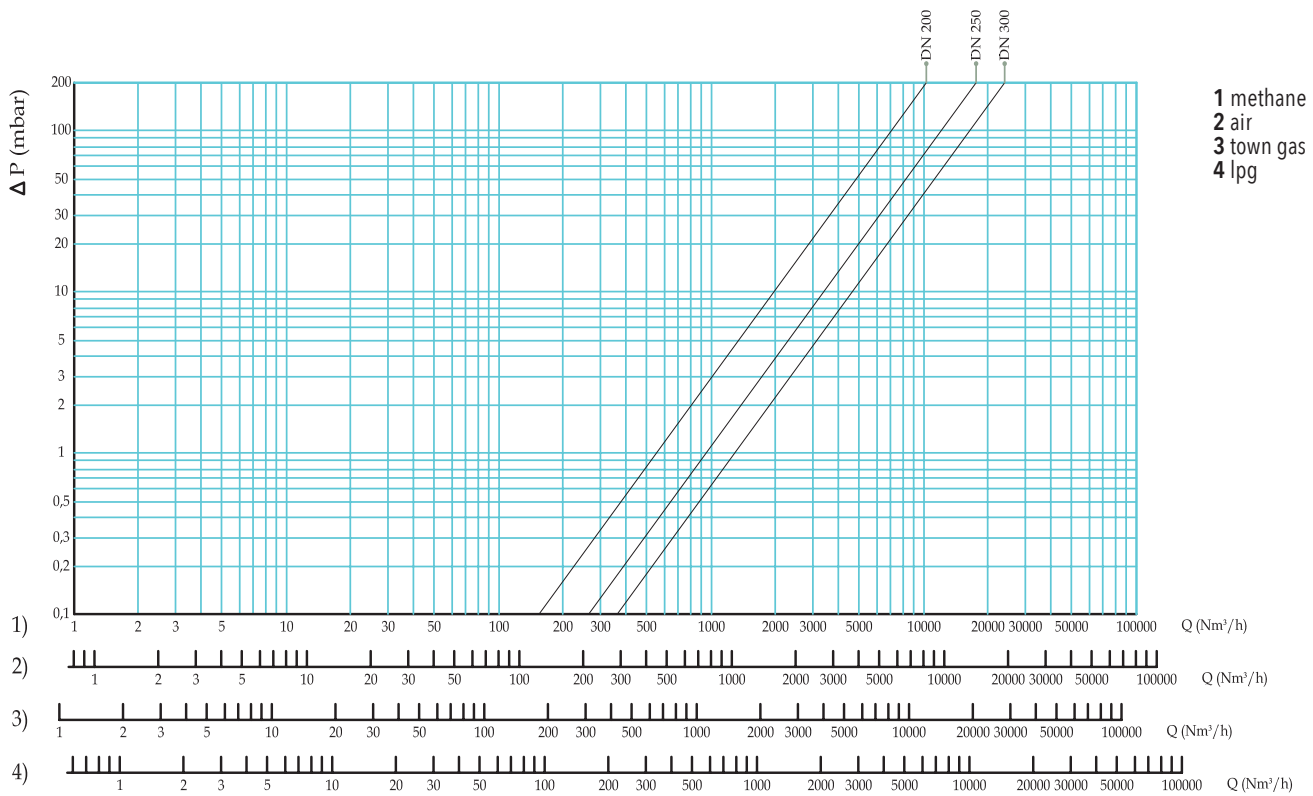
## TECHNICAL FEATURES

<b>Valve body</b>	Aluminium
<b>Flanged connections</b>	DN300 PN16 according to ISO 7005
<b>Inlet pressure</b>	1 bar
<b>Opening/closing time on quick version</b>	<b>opening:</b> 18 s ± 20% <b>closing:</b> < 1 s
<b>Ambient temperature</b>	-20 ÷ +60°C
<b>Supply voltage</b>	230V, 110V ac, 24V - 12V ac and dc (not for all diameters)
<b>Frequency</b>	50 ÷ 60 Hz - 50 Hz for 24V ac
<b>Enclosure</b>	IP 65
<b>Supply voltage tolerance</b>	-15% - +10%
<b>Duty cycle</b>	continuous
<b>Weight</b>	about 200 Kg

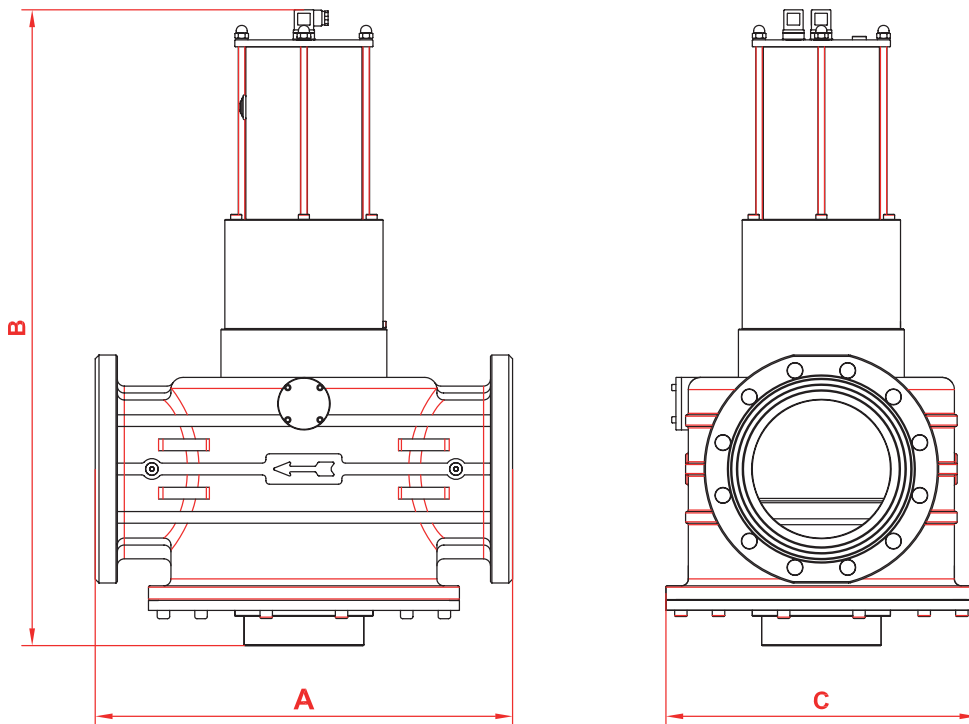
## FEATURES

- Class B for DN 300, Group 2
- Electromagnetic Compatibility – Directive 2004/108/CE
- Low voltage – Directive 2006/95/CE
- Normally closed
- Slow Opening and quick Closing
- Pressure test points at inlet by both sides

# FLOW CHART

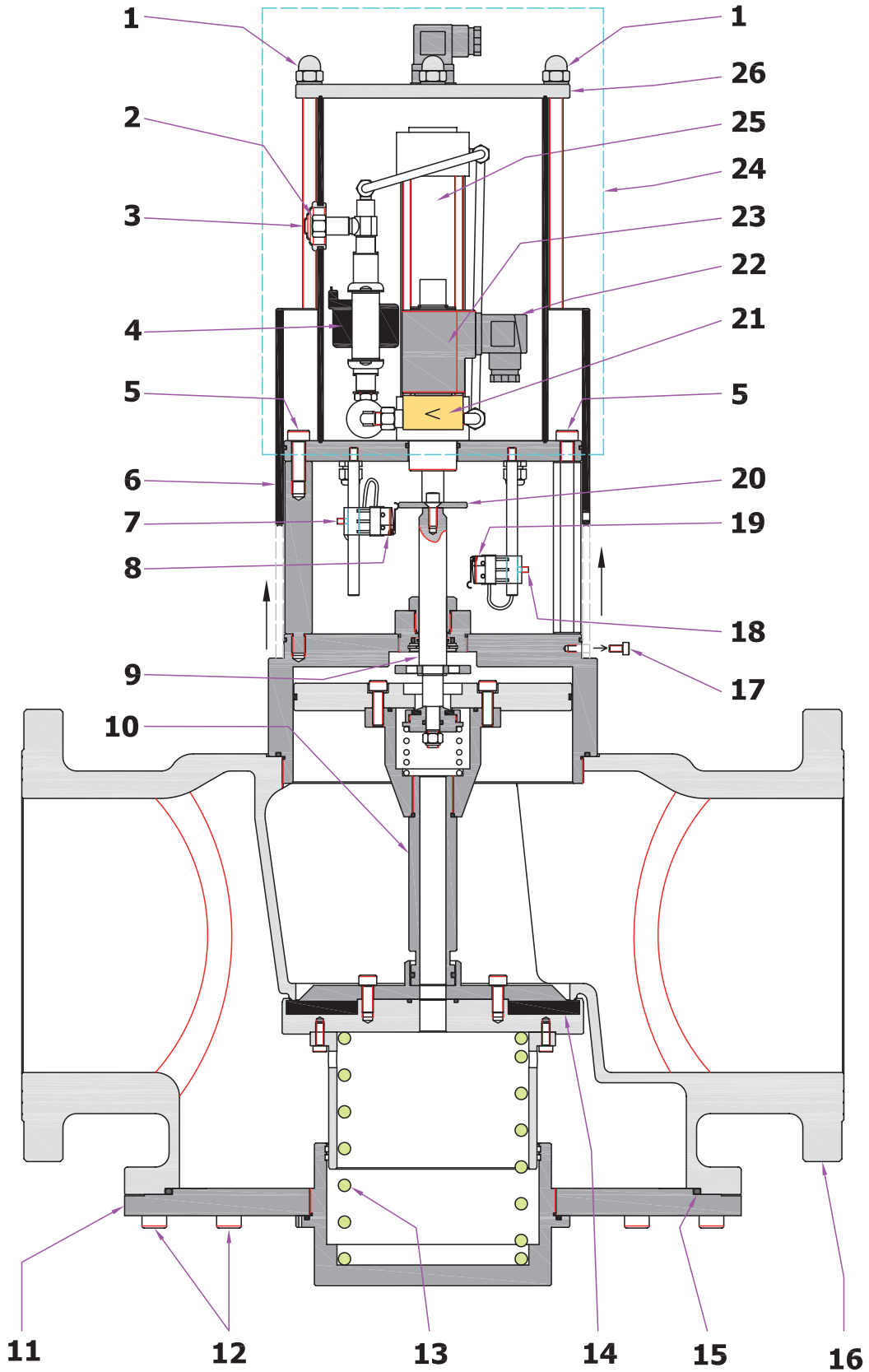


# MEASUREMENT



Overall dimensions in mm			
Flanged connections	A	B	C
DN 300	737	1160	552

**fig. 1 - sump (6) open**  
 To adjust the flow rate loose the screw (17) and shift up the sump (6) as per as shown below.



# SPECIFICATION - FIG.2

fig. 2 - sump (6) closed

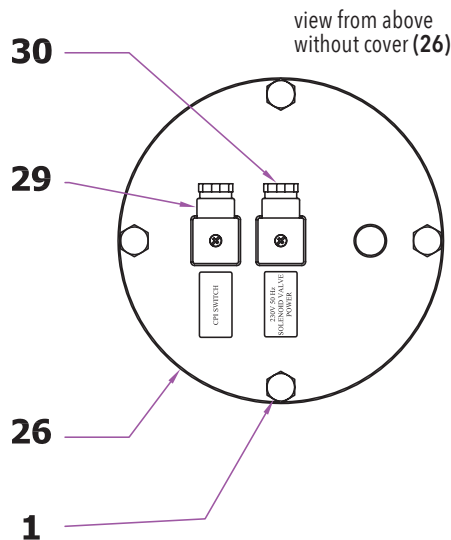
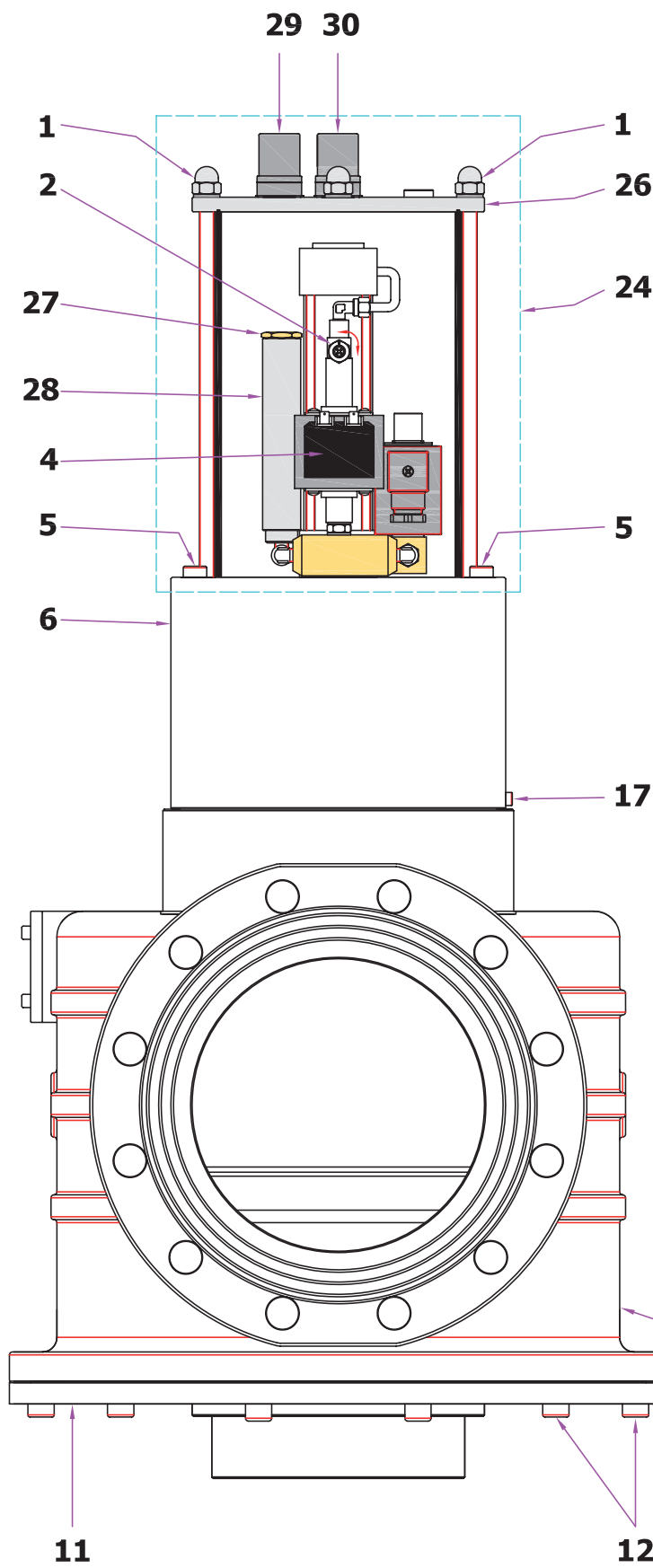


fig. 1 and 2

1. Fixing nuts for the top cover
2. Adjustment of the opening speed  
(only for slow opening version)
3. Cap for access to the adjustment
4. Pump (actuator)
5. Fixing screws for ACTUATOR KIT
6. Sump to protect the settings
7. Fixing screw for CPI Switch adjustment
8. Closed Position Indicator Switch (optional)
9. Upper pin
10. Central pin
11. Bottom
12. Fixing screws for bottom
13. Closing spring
14. Obturator
15. Bottom seal O-Ring
16. Valve body
17. Fixing screw for sump
18. Fixing screw for flow adjustment switch
19. Flow adjustment switch
20. Disk for microswitch contacts
21. N.O. automatic valve (oil circuit)
22. Valve connector (oil circuit)
23. Valve coil (oil circuit)
24. Actuator assembly
25. Hydraulic cylinder
26. Upper cover
27. Oil filler cap
28. Oil tank
29. CPI Switch connection connector
30. Solenoid valve power connector

All the reported data are subject to be changed without notice.

form181010