

Pressure switch series PE - PED

Pressure switches and differential pressure switch of series PE are suitable for application on domestic and industrial combustion plants for detection of pressure of gas belonging to the first, second and third family and air.

They are normally applied on the most common combustion plants like furnaces, boilers, dryers and compact burners.

PE pressure switches are certified **CE**, according to norms EN 1854 .



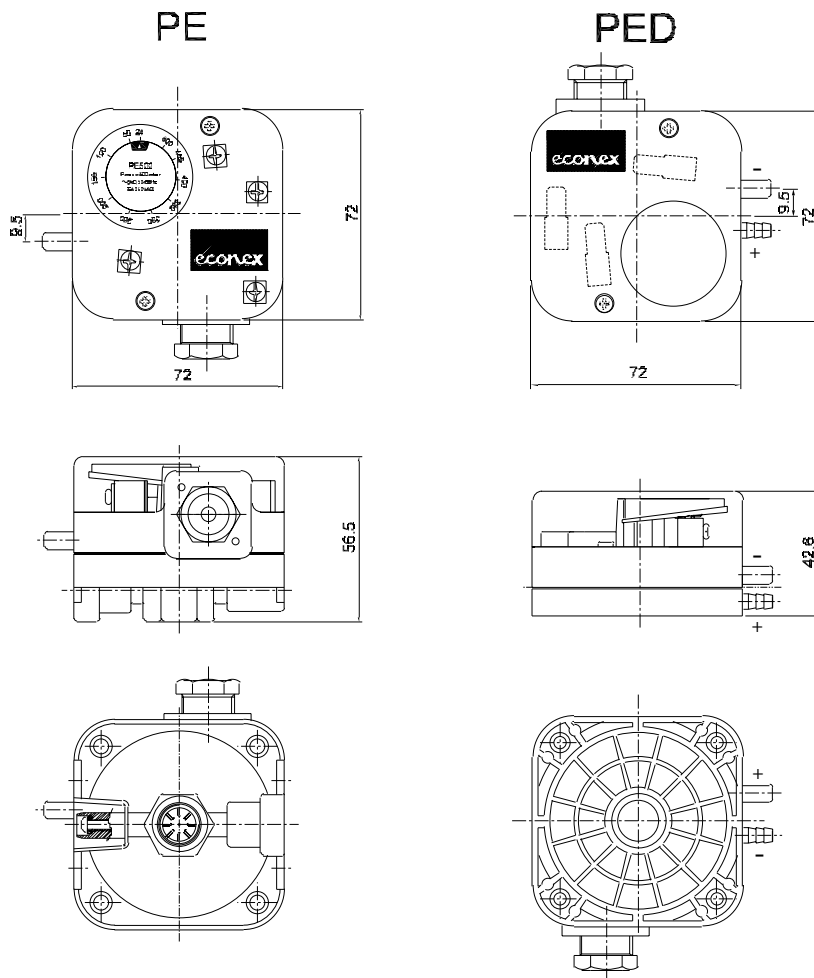
TECHNICAL FEATURES

Base support	Die-casted aluminium
Diaphragm	NBR
Housing	Brass
Switch part	Polycarbonate
Electrical rating	250V ac
Pressure connection	1/4" BSP
Ambient temperature	-15 ÷ +60 °C
Enclosure	IP54 - IP44 (differential)

FEATURES

- Installation in horizontal (preferred) or vertical position. In case of differential pressure switch PED mounted in horizontal, the switching points will change by 0.25 mbar
- Max. pressure PE pressure switch: 500 mbar and 1 bar (only PE 500)
- Differential pressure switch PED max pressure 100 mbar
- Adjustable tolerance $\pm 15\%$
- Electrical connection : male fast-on 6.3 x 0.8 mm
- Air connection : silicone or polyamide, polyurethane hose $\varnothing 4 \times \varnothing 7$ or $\varnothing 5 \times \varnothing 8$ mm

DIMENSIONS



MODELS

PE PRESSURE SWITCH

Model	Pressure range	Max pressure
PE003	0.4 - 3.0 mbar	500 mbar
PE010	2.0 - 10 mbar	500 mbar
PE050	2.5 - 50 mbar	500 mbar
PE150	30 - 150 mbar	500 mbar
PE500	100 - 500 mbar	1 bar

PED DIFFERENTIAL PRESSURE SWITCH

Model	Pressure range	ΔP	Max pressure
PED002	0.2 - 2.0 mbar	≤ 0.4 mbar	100 mbar
PED003	0.3 - 3.0 mbar	≤ 0.5 mbar	100 mbar
PED005	0.5 - 5.0 mbar	≤ 0.6 mbar	100 mbar
PED010	1 - 10 mbar	≤ 0.8 mbar	100 mbar

All the reported data are subject to be changed without notice.

form140918

econex

Econex s.r.l. - Via Francesco De Sanctis, 53 - I-20141 Milano
Tel. +39 0289502912 - Fax +39 028463084 - www.econex.it - info@econex.it