

# Ignition transformers for gas and oil burners

The conventional inductive ignition transformers are suitable for gas and oil burners.

These transformers are manufactured with highest quality materials in accordance with **CE** EN 61558/2/3 and EN 60730/2/5 product regulations and the instructions of VDE 0570 and SEV CI511.

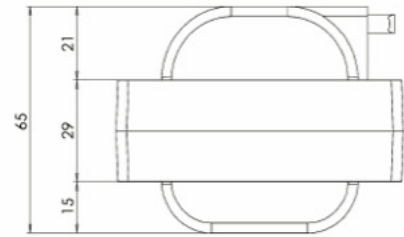
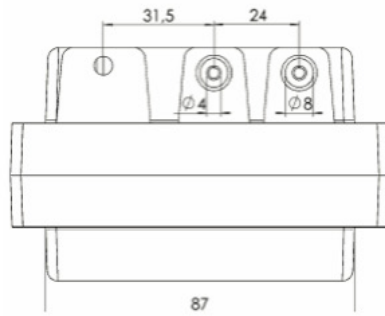
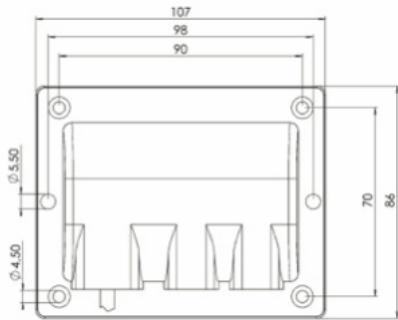
The copper wire used for the secondary circuit winding is 180 °C H class, while the wire for the primary circuit winding is 200 °C H class.



## TECHNICAL FEATURES

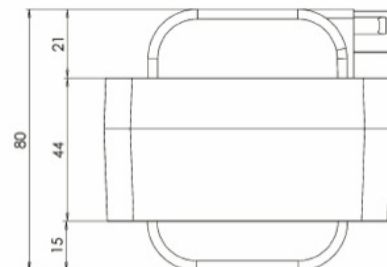
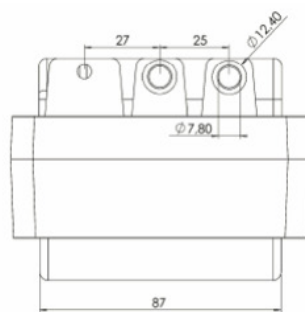
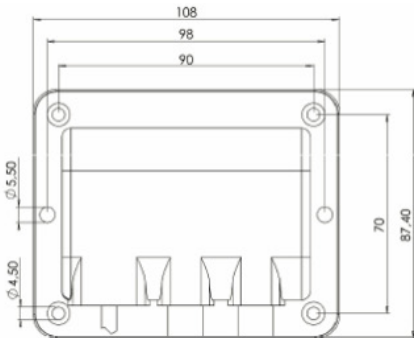
<b>Windings</b>	Class H, encapsulated with epoxy resin
<b>Supply voltage</b>	230V ac 50-60Hz
<b>On request</b>	220V, 240V, 115V ac 50-60 Hz at 50 or 60 Hz
<b>On request</b>	120V/60Hz with SPMAN plug Ø 4 mm with sleeve for US market
<b>Body</b>	Encapsulated with thermosetting epoxy resin
<b>Standard outlets</b>	Version VIRAS with flush self-tapping screw (13 mm deep).
<b>Approval</b>	CE; main models are approved by VDE and SEV
<b>Supply voltage cable</b>	Standard 3x 0.75 mm <sup>2</sup> total length 440 mm [380 mm usable]
<b>Weight</b>	TRS 1,90 kg. each - TRG 2,80 kg. each

**SERIES TRS - STANDARD VERSION**



Operation	ED % min.	kV Outlet	mA	No. outlets	Max pressure
Intermit	AB 25% 4 min.	8	20	2	TRS 820
Intermit	AB 25% 4 min.	8	20	1	TRS 820 P
Intermit	AB 33% 3 min.	8	20	1	TRS 820 PISO Monoelect. Insul.
Intermit	AB 25% 4 min.	8	20	1	TRS 820 PUSA [120V/60Hz]
Intermit	AB 25% 4 min.	8	30	1	TRS 830 P
Intermit	AB 25% 4 min.	10	20	2	TRS 1020
Intermit	AB 25% 4 min.	10	30	2	TRS 1030
Intermit	AB 25% 4 min.	12	20	2	TRS 1220
Continuous	DB 100%	6	10	1	TRS 610 PC
Continuous	DB 100%	8	18	2	TRS 818 C
Continuous	DB 100%	8	18	1	TRS 818 C

**SERIES TRS - BIG SIZE VERSION**



Operation	ED % min.	kV Outlet	mA	No. outlets	Max pressure
Intermit	AB 25% 4 min.	8	35	1	TRG 835 P
Intermit	AB 25% 4 min.	10	35	2	TRG 1035
Intermit	AB 33% 3 min.	10	35	1	TRG 1035 P
Intermit	AB 25% 4 min.	10	35	2	TRG 1035 USA (120V/60Hz)
Intermit	AB 25% 4 min.	12	30	2	TRG 1230
Continuous	DB 100%	6	23	1	TRG 623 PCUSA (120V/60Hz)
Continuous	DB 100%	8	20	1	TRG 820 PC
Continuous	DB 100%	10	15	2	TRG 1015 C
Continuous	DB 100%	10	20	2	TRG 1020 C
Continuous	DB 100%	10	20	1	TRG 1020 C

The data is subject to change without notice.

form 140909