

# Butterfly valve of high temperature series VF/MM

Butterfly valves of series VF/MM are suitable for application in industrial plants for the regulation of hot air or fumes up to temperature of 1000 °C.

Field of application might be incineration plants, air treatment, thermal combustion plants, power plants, furnaces, etc.

The VF/MM are manufactured in carpentry and the selection among various construction materials, type of flanges (weld ends, wafer and double flanged) can satisfy the demand for any kind of application.



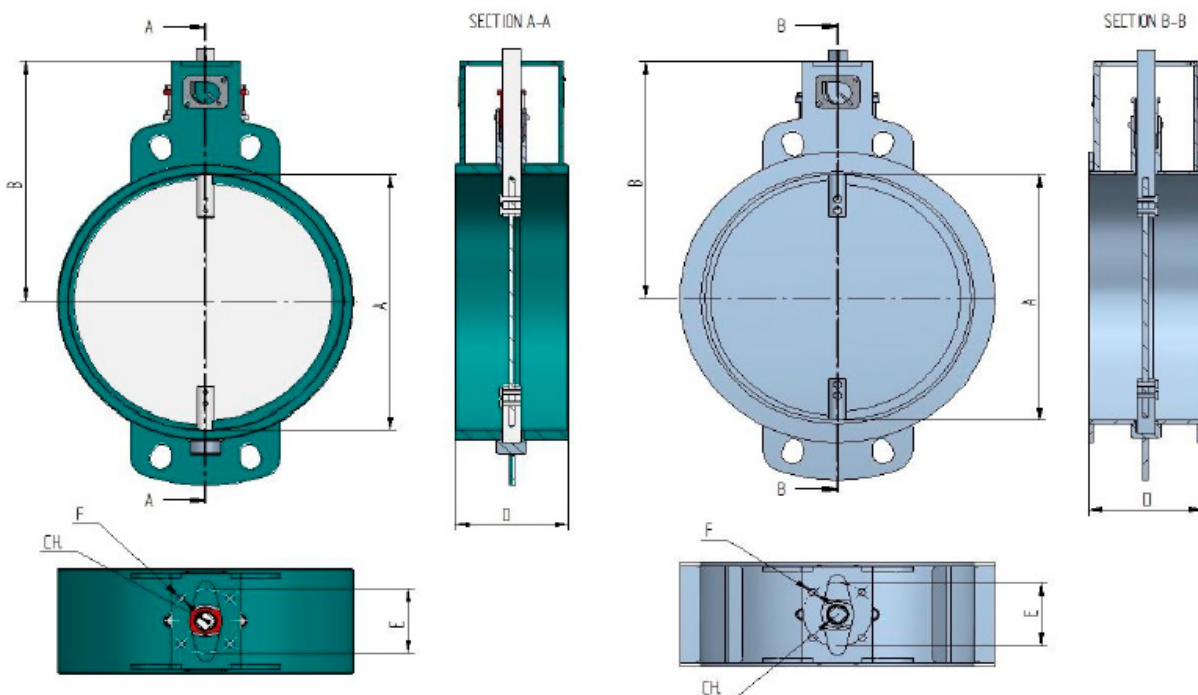
## TECHNICAL FEATURES

<b>Valve body</b>	Carbon steel up to 300°C - AISI 316 up to 600 °C - AISI 310 up to 1000 °C
<b>Shaft sealing</b>	PTFE or Graphite braid packing
<b>Flanges</b>	Weld ends, wafer, flanged PN16 or double flanged
<b>Size</b>	DN250 ÷ DN1000
<b>Max pressure</b>	3 bar
<b>Standard leakage</b>	CLASS II-III 0,5 / 0,1 % kvs (valves with landing bar)

## FEATURES

- Free shaft butterfly valve or equipped with hand wheel
- Butterfly valves can be motorized with electrical actuator or pneumatic actuator
- Various leakage class up to class III tight
- Available by-pass valves, 3 ways
- Available dumper for high temperature with single or multi blade

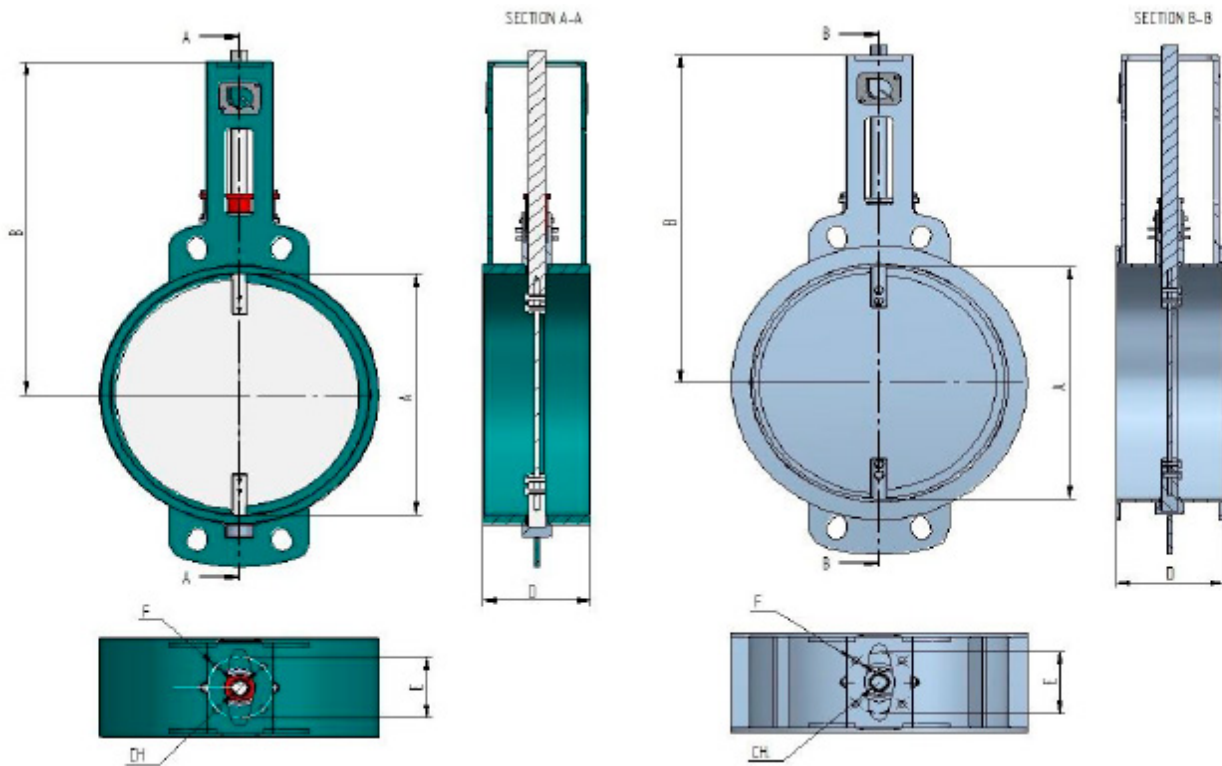
- Suitable for temperature up to 300 °C
- Max working pressure 3 bar



Dimensions in mm

DN	A	B	D	E	F	CH	Weight (Kg)
250	266	260	114	70 - F07	6,5	14X14	16,5
300	316	287	114	70 - F07	8,5	14X14	19
350	355	339	127	70 - F07	8,5	17X17	25
400	400	366	140	70 - F07	8,5	17X17	30
450	450	394	152	102 - F10	11	22X22	40
500	500	410	152	102 - F10	11	22X22	45
600	600	465	154	102 - F10	11	22X22	55
700	700	565	165	125 - F12	14	27X27	81
800	800	620	190	125 - F12	14	27X27	102
900	900	670	203	140 - F14	17	36X36	170
1000	1000	722	216	140 - F14	17	36X36	190

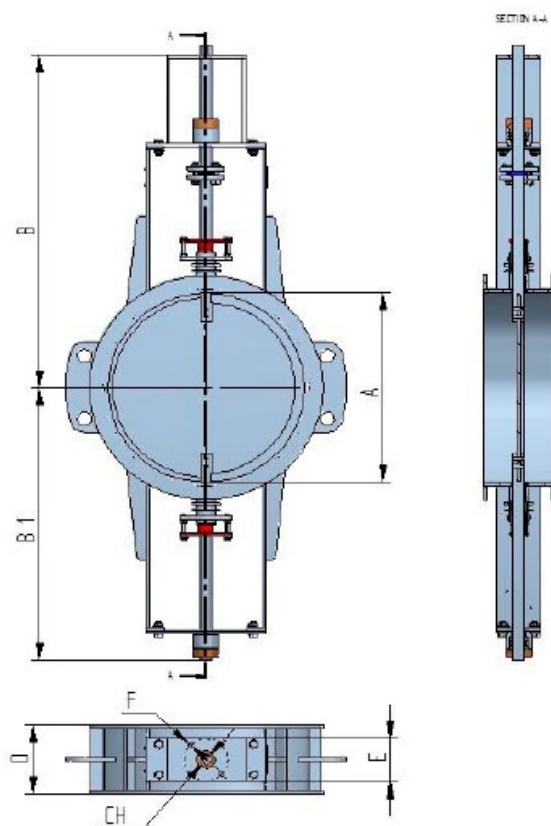
- Suitable for temperature up to 600 °C
- Max working pressure 3 bar



Dimensions in mm

DN	A	B	D	E	F	CH	Weight (Kg)
250	266	375	114	70 - F07	6,5	14X14	17
300	316	400	114	70 - F07	8,5	14X14	19,5
350	355	426	127	70 - F07	8,5	17X17	26,5
400	400	448	140	70 - F07	8,5	17X17	31,5
450	450	474	152	102 - F10	11	22X22	41,5
500	500	495	152	102 - F10	11	22X22	47
600	600	550	154	102 - F10	11	22X22	57
700	700	682	165	125 - F12	14	27X27	83
800	800	732	190	125 - F12	14	27X27	104
900	900	745	203	140 - F14	17	36X36	175
1000	1000	797	216	140 - F14	17	36X36	195

- Suitable for temperature up to 1000 °C
- Max working pressure 3 bar



Dimensions in mm

DN	A	B	B1	D	E	F	CH	Weight (Kg)
250	266	375	416	114	70 - F07	6,5	14X14	20
300	316	400	444	114	70 - F07	8,5	14X14	22
350	355	426	475	127	70 - F07	8,5	17X17	35
400	400	448	500	140	70 - F07	8,5	17X17	40
450	450	474	515	152	102 - F10	11	22X22	55
500	500	495	540	152	102 - F10	11	22X22	60
600	600	550	565	154	102 - F10	11	22X22	70
700	700	682	713	165	125 - F12	14	27X27	110
800	800	732	870	190	125 - F12	14	27X27	160
900	900	745	1120	203	140 - F14	17	36X36	230
1000	1000	797	1170	216	140 - F14	17	36X36	250

All the reported data are subject to be changed without notice.

form140918